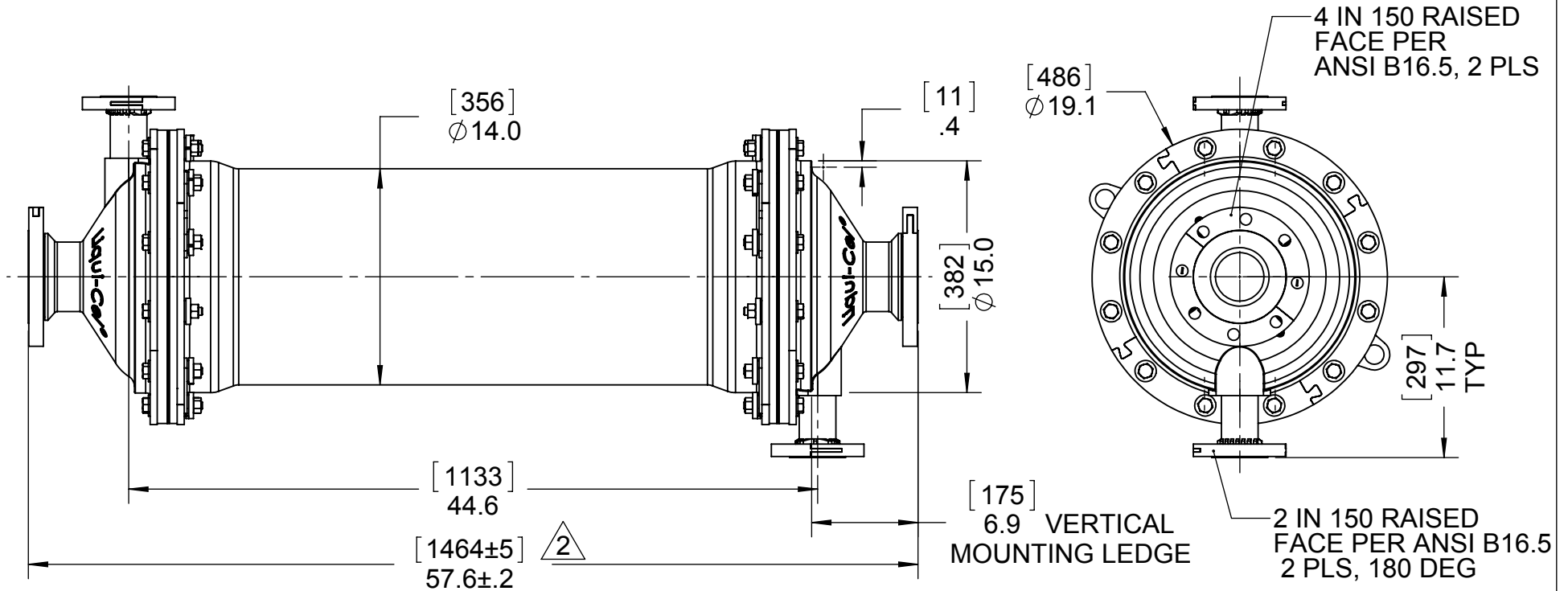


NOTES:
 1 - DRAWING DIMENSIONS IN INCHES
 2 - [DIMENSIONS IN MILLIMETERS]

REVISIONS			
REV.	DESCRIPTION	DATE	APPROVED
1	UPDATED DRAWING BORDER, DELETED OVERDIMENSIONING	4/07/2011	EWB
2	ADDED TOLERANCE, EDIT REVISION TABLE	4/20/2011	EWB



CONFIDENTIAL
 THE INFORMATION CONTAINED IS CONFIDENTIAL. SUCH INFORMATION IS THE PROPERTY OF MEMBRANA AND MAY NOT BE USED BY, OR DISCLOSED TO OTHERS WITHOUT WRITTEN CONSENT OF MEMBRANA. THE INFORMATION CONTAINED HEREIN MAY NOT BE USED FOR ANY PURPOSE OTHER THAN THE EXPRESSED INTENT FOR WHICH IT WAS LENT.

©2011 Membrana-Charlotte. All rights reserved.

MEMBRANA
MEMBRANA
 Underlining Performance

		SCALE: 1:16	NAME	DATE
		WT:	DRAWN	EWB 5/13/09
		Purchase Spec:	ENG APPR.	EWB 5/13/09
			MFG APPR.	
			Q.A.	
INTERPRET GEOMETRIC TOLERANCING PER: ANSI Y14	SIZE A	TITLE: 14 X 40, PVC/NYLON, ANSI, ROTATED PORTS		
MATERIAL	PART NO.	DWG. NO.	SHEET 1 OF 1	REV 2
DO NOT SCALE DRAWING		SMC-0114-12-7972		